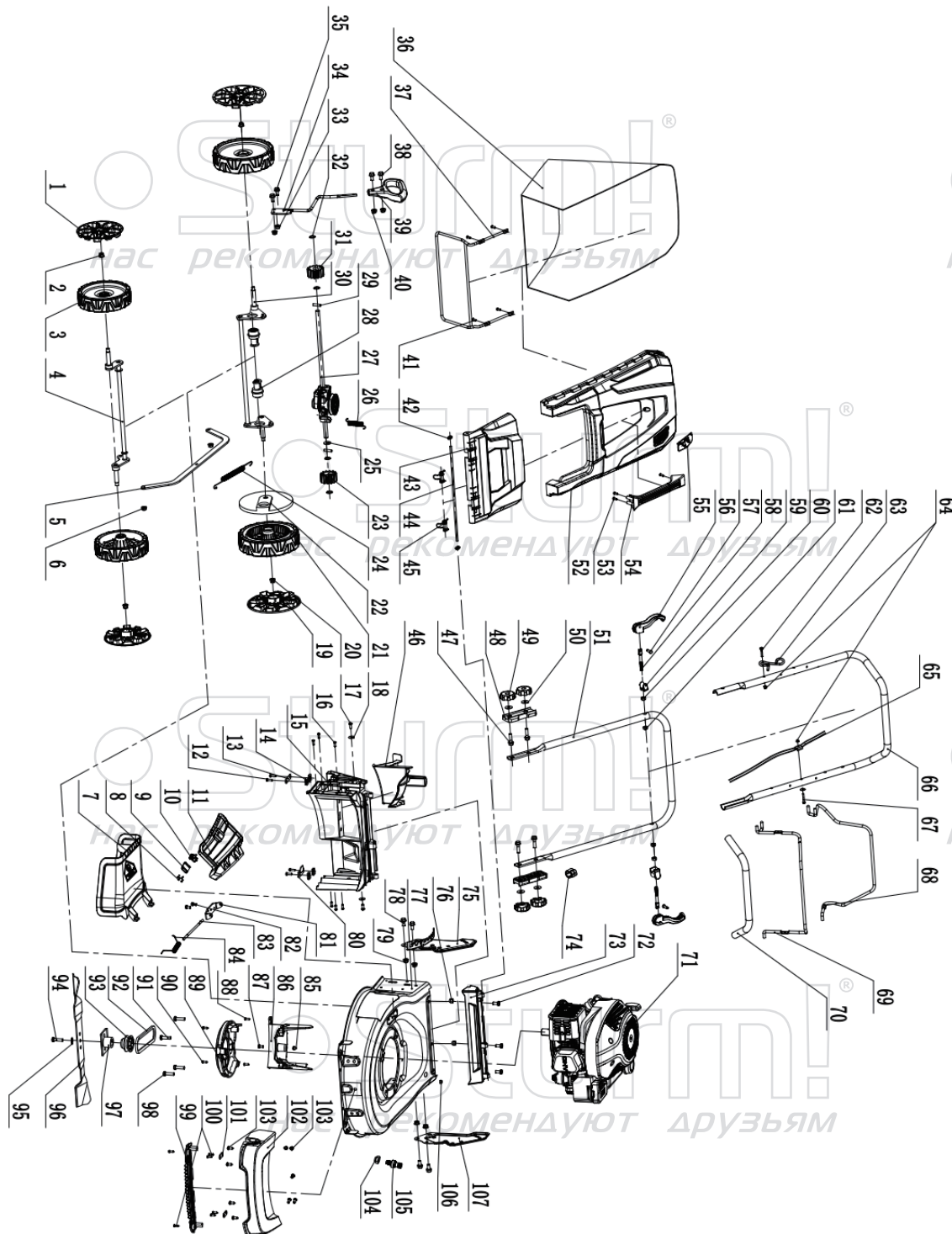
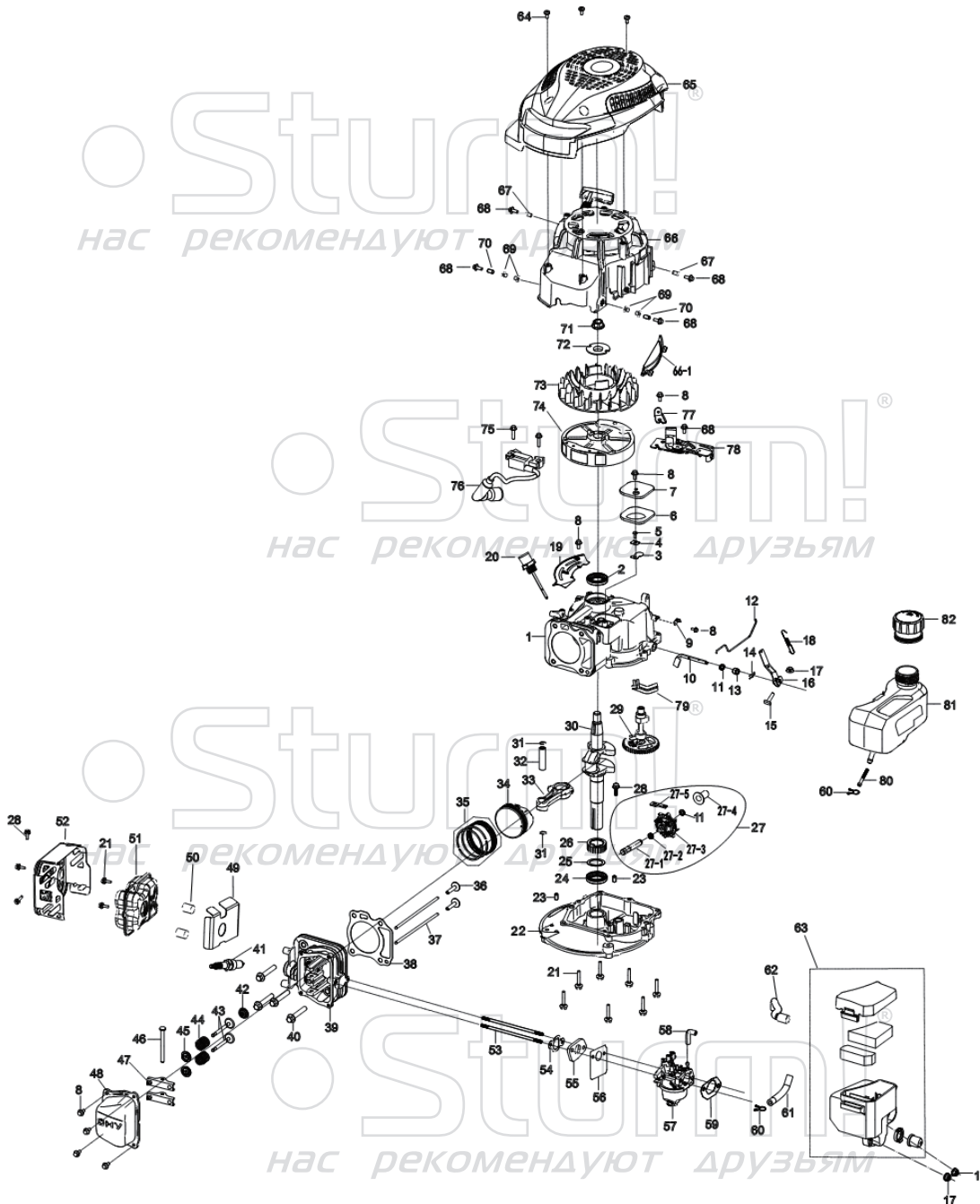


PL1446S



NO.	DESCRIPTION	NO.	DESCRIPTION
1	WHEEL COVER	55	INDICATED BOARD
2	NUT M8	56	QUICK-CLIP HANDLE
3	FRONT WHEEL	57	PIN
4	FRONT WHEEL SHAFT ASSEMBLY	58	QUICK-CLIP BOLT
5	ADJUSTABLE CONNECTING ROD	59	QUICK-CLIP HANDLE ACCESSORIES
6	NUT M6	60	NUT M8
7	SIDE DISCHARGE CHUTE	61	QUICK-CLIP HANDLE ACCESSORIES 1
8	SCREW M3×8	62	BOLT M6×30
9	SIDE COVER CLAMP	63	ROPE GUIDE
10	SIDE COVER GUIDE	64	NUT M6
11	SIDE DISCHARGE COVER	65	DRIVE FLAMEOUT DOUBLE CABLE
12	BOLT M5×16	66	UPPER HANDLE
13	REAR SHAFT CLAMP (R)	67	BOLT M6×35
14	CLIP NUT	68	CLUTCH LEVER
15	REAR AIR DUCT	69	BRAKE LEVER
16	SCREW ST4.8×16	70	FOAM PIPE
17	SCREW ST6.3×16	71	ENGINE
18	WASHER Ø6×Ø18×1.5	72	BOLT M8×16
19	REAR WHEEL COVER	73	REAR COVER SUPPORT
20	NUT M10	74	CABLE SUPPORT
21	REAR WHEEL	75	RIGHT BRACKET
22	REAR WHEEL DUST COVER	76	NUT M8
23	LEFT GEAR	77	DECK
24	HEIGHT ADJUSTMENT SPRING	78	BOLT M8×16
25	WASHER Ø13×Ø20×1	79	NUT M8
26	TENSION SPRING	80	REAR SHAFT CLAMP (L)
27	GEAR BOX	81	SIDE DISCHARGE BRACKET
28	SHAFT SLEEVE	82	BOLT M6×10
29	PIN	83	PIN
30	REAR WHEEL SHAFT ASSEMBLY	84	TORSIONAL SPRING
31	RIGHT GEAR	85	NUT M6
32	LOCK RING	86	BELT COVER
33	NUT M6	87	BOLT M6×12
34	HEIGHT ADJUSTMENT HANDLE	88	SCREW ST4.8×16
35	BOLT M6×16	89	BELT WHEEL COVER
36	FABRIC BAG	90	SCREW ST4.2×14
37	FABRIC BAG SUPPORT	91	BOLT M8×25
38	BOLT M5×12	92	BELT
39	HANDLE	93	BELT WHEEL
40	NUT M5	94	INCH BOLT 3/8-24×39
41	SCREW ST4.8×16	95	DISHED WASHER
42	LOCK RING	96	BLADE
43	REAR COVER	97	KNIFE HOLDER
44	REAR COVER SHAFT	98	BOLT M8×16
45	TORSIONAL SPRING	99	BOTTOM PLATE
46	MULCHING PLUG	100	SCREW ST4.8×16
47	BOLT M8×40	101	FRONT SHAFT CLAMP PLATE
48	PUSH ROD INSULATION BLOCK	102	FRONT FACE
49	KNOB	103	SCREW ST6.3×16
50	WASHER Ø12×Ø24×2	104	NUT M14X1.5
51	LOWER HANDLE	105	WATER INLET (WITH O-RING)
52	FABRIC BAG PLASTIC COVER	106	CABLE SHEATH
53	SCREW ST4.8×16	107	LEFT BRACKET
54	PLASTIC COVER HANDLE		

ENGINE FOR PL1241, PL1446, PL1446S



NO.	DESCRIPTION	NO.	DESCRIPTION
1	CRANKCASE	40	BOLT M8X50
2	OIL SEAL	41	SPARK PLUG
3	VALVE ELEMENT	42	OIL SEAL
4	LIMIT PLATE	43	VALVE
5	SCREW M4×6	44	SPRING
6	GASKET OF RESPIRATOR COVER	45	SPRING SEAT
7	RESPIRATOR COVER PLATE	46	SHAFT
8	BOLT M5X12	47	VALVE ROCKER ARM
9	THROTTLE CONTROL GROUP	48	CYLINDER HEAD COVER
10	SPEED REGULATOR ROCKER SPINDLE	49	GASKET OF MUFFLER
11	WASHER Φ6	50	BUSHING
12	SPEED ADJUSTMENT LEVER	51	MUFFLER ASSY
13	OIL SEAL	52	MUFFLER COVER ASSY
14	SPRINGNESS SPLIT PIN	53	DOUBLE BOLT M6×96
15	T-BOLT	54	PAPER GASKET OF INLET PIPE
16	SPEED REGULATOR ROCKER	55	HEAT INSULATION GASKET
17	NUT M6	56	PAPER GASKET
18	SPRING	57	CARBURETOR
19	BACK PLATE	58	OIL PIPE 1
20	LUBRICATING GAUGE	59	GASKET
21	BOLT M6X30	60	OIL PIPE CIRCLIP
22	CRANKCASE COVER	61	OIL PIPE 2
23	PIN Φ8×12	62	EXHAUST PIPE
24	OIL SEAL	63	AIR FILTER
25	WASHER Φ25.5×Φ34.5×1	64	SCREW ST5×15
26	GEAR	65	ENGINE HOOD ASSEMBLY
27	RATE-LIMITING GEAR ASSY	66	HAND STARTING ASSEMBLY
27-1	GEAR SHAFT	66-1	WIND DEFLECTOR
27-2	WASHER Φ6	67	BUSHING 1
27-3	RATE-LIMITING GEAR	68	BOLT M5X20
27-4	SLIDING SLEEVE	69	BUSHING 2
27-5	PRESSURE PLATE	70	BUSHING 3
28	BOLT M6X12	71	NUT M14X1.5
29	CAM ASSY	72	STARTER CUP BASE
30	CRANKSHAFT	73	FAN
31	SPRING	74	FLYWHEEL ASSEMBLY
32	PISTON PIN	75	BOLT M5X25
33	CONNECTING ROD ASSY	76	IGNITION
34	PISTON	77	HOOD SUPPORT LUGS
35	PISTON RING ASSY	78	BRAKE ASSY
36	TAPPET	79	OIL RETURN BLOCK
37	GUIDE BOARD OF HANDSPIKE	80	OUTLET NOZZLE STRAINER
38	SEAL GASKET	81	TANK
39	CYLINDER HEAD ASSY	82	FUEL TANK CAP

PL1241/PL1446/PL1446S-EX-KMSK03P2024027ST